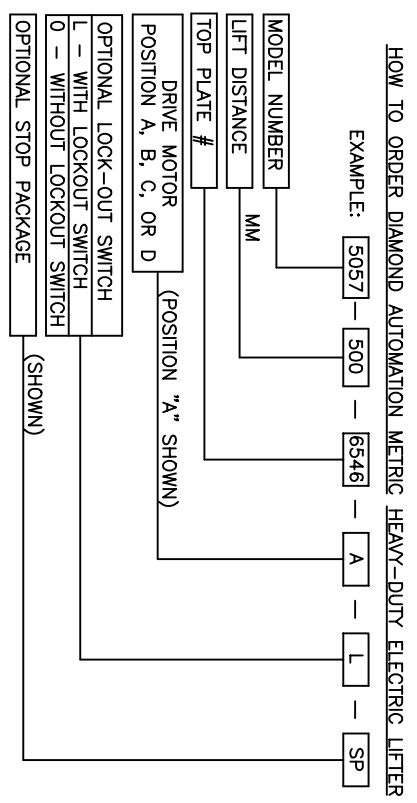
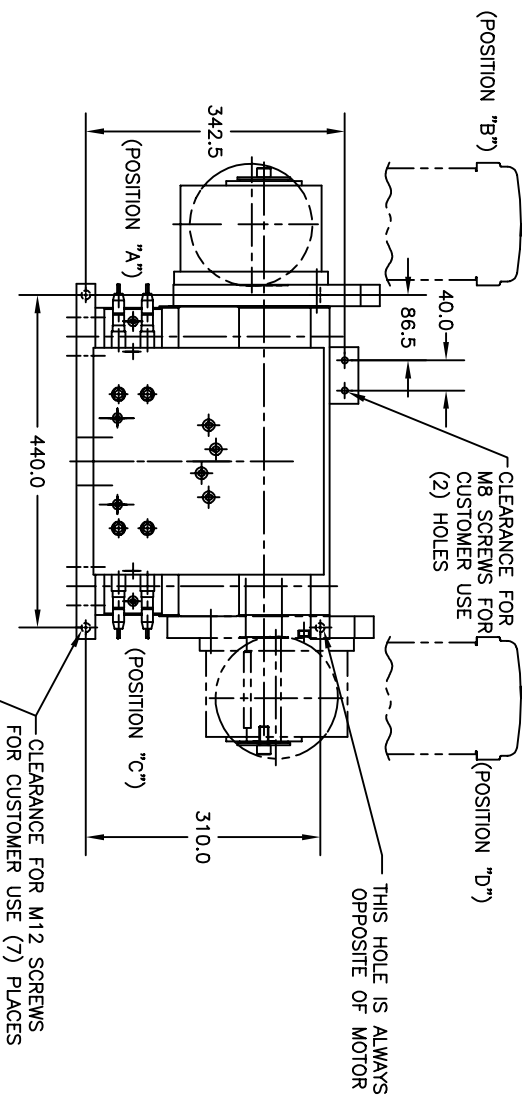


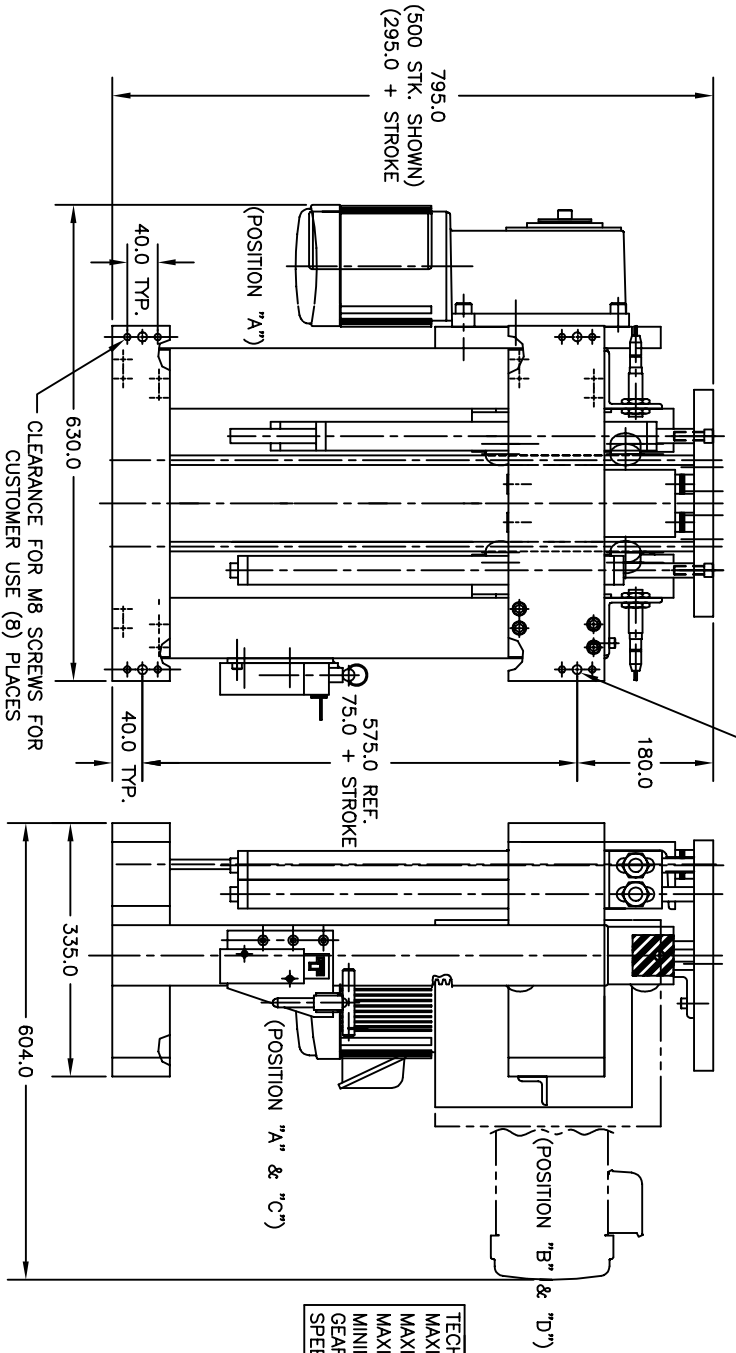
METRIC LIFTER UNITS

<u>MODEL #</u>	<u>SHEET #</u>	<u>DESCRIPTION</u>
5057 :	L-1 :	HEAVY-DUTY LIFTER WITH ELECTRIC MOTOR
5007 :	L-2 :	HEAVY-DUTY LIFTER
5010 :	L-3 :	HEAVY-DUTY LIFTER WITH SHOCK PACKAGE
-- :	L-4 :	METRIC LIFTER PLATES
5008 :	L-5 :	HEAVY-DUTY LIFTER SHOCK PACKAGE

LAST PLOT DATE: 9/17/04



NOTE: BROTHER MOTOR SHOWN (DIAMOND STANDARD)
 DIAMOND ALSO OFFERS SEW, SUMITOMO, MOTORS &
 TANDEM LIFTERS AS OPTIONS
 CALL FOR TEMPLATE & ORDERING INFO



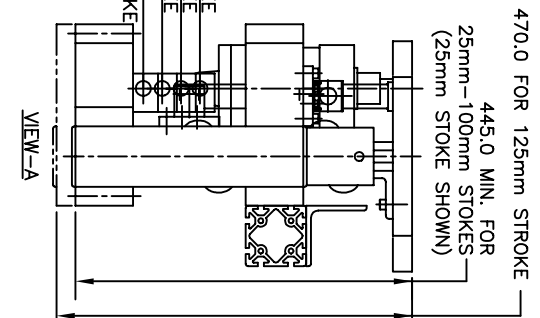
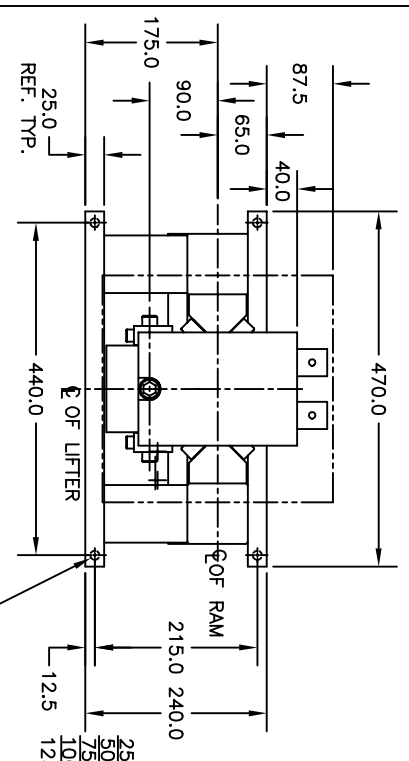
TECHNICAL DATA:
 MAXIMUM ON CENTER LIFT CAPACITY = 226.7kg. (500lbs.)
 MAXIMUM OVERHUNG LOAD = 45.4 kg (100lbs.) @ 900MM (35.5IN.)
 MAXIMUM STROKE = TO BE DETERMINED
 MINIMUM STROKE = 270MM MOTOR POS. "A" OR "C"
 GEAR MOTOR IS 3-PHASE
 SPEED IS 9"/sec.

5096 1/2 CANAL ROAD
 P.O. BOX 37
 DIMONDALE MICHIGAN 48821
 PHONE (517) 646-9637
 FAX (517) 646-8115
 WWW.DIAMONTS.COM
 E-MAIL: INFO@DIAMONTS.COM

DIAMOND AUTOMATION, LTD.
 COMPACT CONVEYOR SYSTEMS

THE METRIC HEAVY-DUTY LIFTER
 WITH BROTHER ELECTRIC MOTOR
 MODEL #5057

Drawn by R/G [signature] 2/7/00 SHEET L-1



HOW TO ORDER DIAMOND AUTOMATION METRIC HEAVY-DUTY ELECTRIC LIFTER

EXAMPLE: 5007 - 300 - 6034 - 100 - L - P1

MODEL NUMBER: MM

LIFT DISTANCE: MM

TOP PLATE #
#6034 (STD.)
#6035 (OVERSIZED)

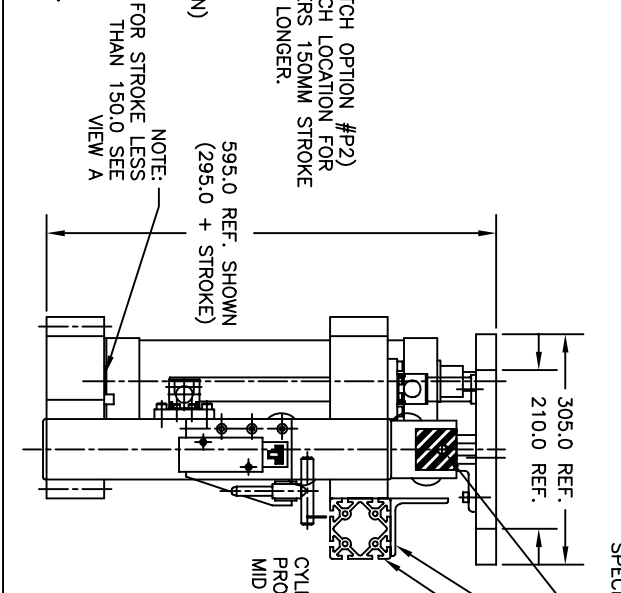
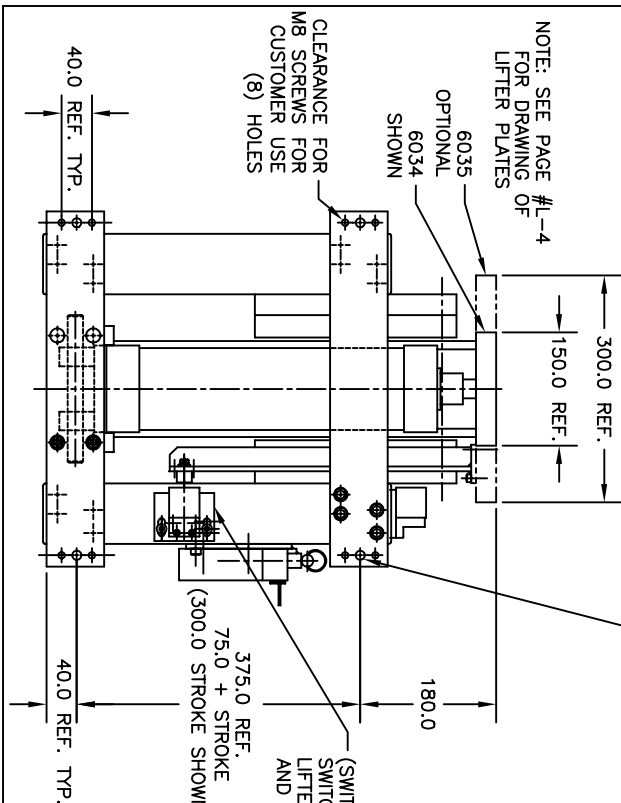
CYLINDER BORE IN MM
100mm DIA. BORE STANDARD. ANY OTHER SIZE WILL HAVE AN ADDED DESIGN COST

OPTIONAL LOCK-OUT SWITCH
L - WITH LOCKOUT SWITCH
0 - WITHOUT LOCKOUT SWITCH

PROX. SWITCH OPTIONS
P1 - SWITCH OPTION #1, 18mm DIA. BARREL SWITCH WITH MOUNTING BRACKET
P2 - SWITCH OPTION #2, SQUARE TYPE PROX. SWITCH WITH MOUNTING BRACKET
P3 - CYLINDRICAL SWITCHES
0 - WITHOUT PROX. SWITCHES

NOTE: P2 PROX SWITCH OPTION REQUIRES USE OF #6035 TOP PLATE.

NOTE: IF DIAMOND IS TO SUPPLY SWITCHES CUSTOMER MUST SPECIFY MANUFACTURER AND PART NUMBER.



NOTE: SEE PAGE #1-4 FOR DRAWING OF LIFTER PLATES

OPTIONAL 6035 SHOWN

CLEARANCE FOR M12 SCREWS FOR CUSTOMER USE (8) HOLES

(SWITCH OPTION #P2) SWITCH LOCATION FOR LIFTERS 150MM STROKE AND LONGER.

75.0 + STROKE (300.0 STROKE SHOWN)

375.0 REF.

595.0 REF. SHOWN (295.0 + STROKE)

NOTE: FOR STROKE LESS THAN 150.0 SEE VIEW A

40.0 REF. TYP.

40.0 REF. TYP.

TECHNICAL DATA:
MAXIMUM ON CENTER LIFT CAPACITY = 260.0 kg. (573lbs.)
MAXIMUM OVERHUNG LOAD = 45.4 kg (100lbs.) @ 0.9 m.
MAXIMUM STROKE = TO BE DETERMINED
MINIMUM STROKE = TO BE DETERMINED

CYLINDER WILL BE PROVIDED PORTS @ #2, CUSHION ADJ. @ #4 PROX. SW. READY @ FACE #1 ONLY WHEN SPECIFIED.
MID DRIVE CONVEYORS RECOMMENDED FOR USE WITH LIFTER

NOTE: PARKER ISO 6431, YDMA 24562 AIR CYLINDER SHOWN

5096 1/2 CANAL ROAD
P.O. BOX 37
DIAMOND MICHIGAN 48821
PHONE (517) 646-9637
FAX (517) 646-8115
WWW.DIAMONDS.COM
E-MAIL: INFO@DIAMONDS.COM

DIAMOND AUTOMATION, LTD.
CONTACT CONVEYOR SYSTEMS

TITLE: METRIC HEAVY-DUTY LIFTER
MODEL #5007

DRAWN BY: KJ DATE: 01/08/98 SHEET: L-2

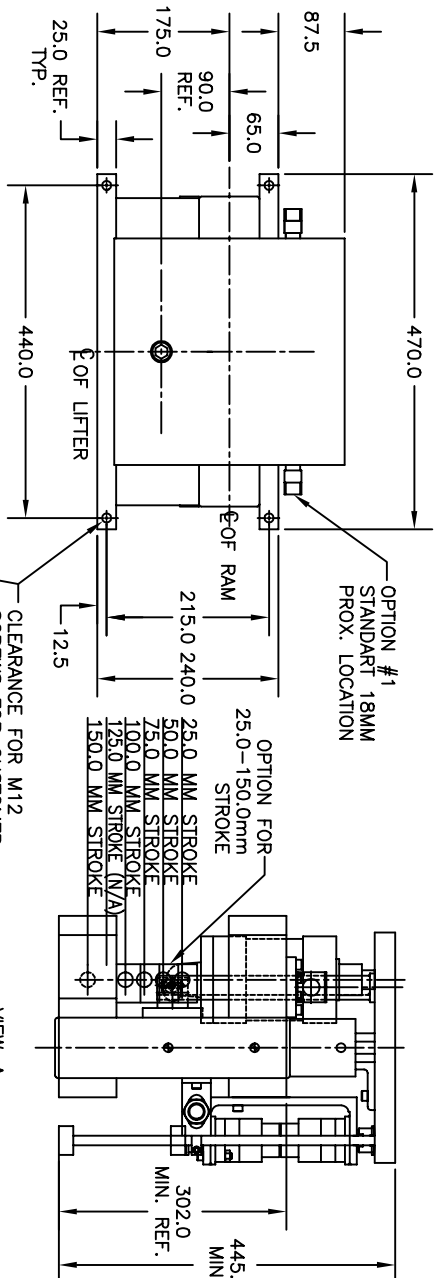
LAST PRINT DATE: 09/09/05

HOW TO ORDER DIAMOND AUTOMATION METRIC HEAVY-DUTY LIFTER

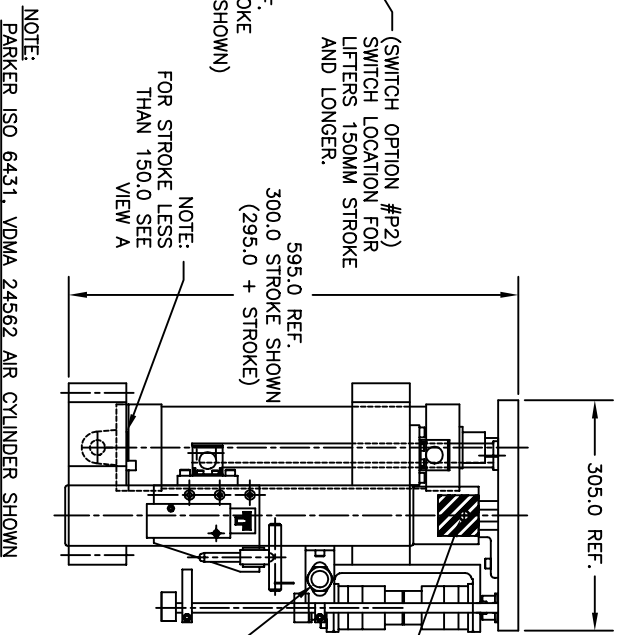
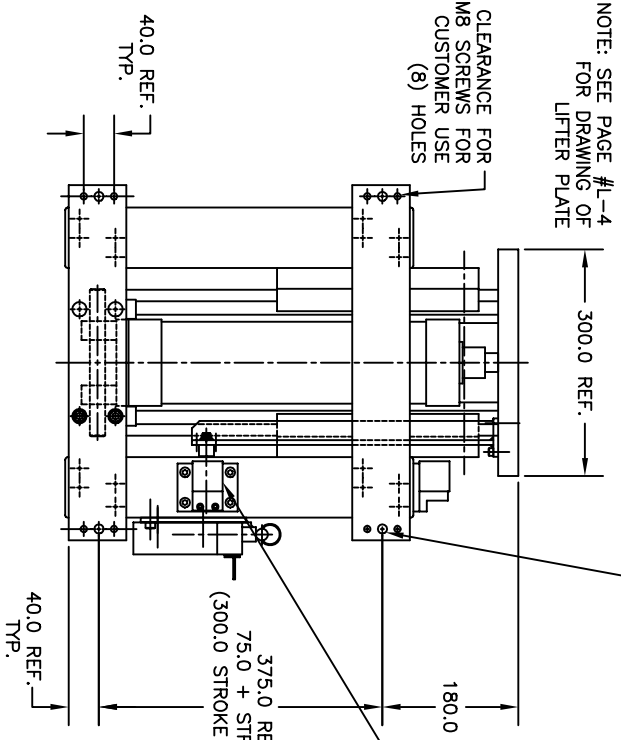
EXAMPLE: [5010] - [300] - [100] - [L] - [P1]

MODEL NUMBER	
LIFT DISTANCE IN MM	
CYLINDER BORE IN MM	
CYLINDER BORE STANDARD ANY OTHER SIZE WILL HAVE AN ADDED DESIGN COST	
OPTIONAL LOCK-OUT SWITCH	
L - WITH LOCKOUT SWITCH	
0 - WITHOUT LOCKOUT SWITCH	
PROX. SWITCH OPTIONS	
P1 - SWITCH OPTION #1, 18mm DIA. BARREL SWITCH WITH MOUNTING BRACKET	
P2 - SWITCH OPTION #2, SQUARE TYPE PROX. SWITCH WITH MOUNTING BRACKET	
P3 - CYLINDRICAL SWITCHES	
0 - WITHOUT PROX. SWITCHES	

NOTE: IF DIAMOND IS TO SUPPLY SWITCHES CUSTOMER MUST SPECIFY MANUFACTURER AND PART NUMBER.



VIEW-A



TECHNICAL DATA:
 MAXIMUM ON CENTER LIFT CAPACITY = 260.0 kg. (573bs.)
 MAXIMUM OVERHUNG LOAD = 45.4 kg (100lbs.) @ 0.9 m.
 MAXIMUM STROKE = TO BE DETERMINED
 MINIMUM STROKE = TO BE DETERMINED

NOTE: SEE PAGE #L-4 FOR DRAWING OF LIFTER PLATE

CLEARANCE FOR M12 SCREWS FOR CUSTOMER USE (8) HOLES

300.0 REF.

180.0

375.0 REF. (75.0 + STROKE (300.0 STROKE SHOWN))

40.0 REF. TYP.

40.0 REF. TYP.

NOTE: FOR STROKE LESS THAN 150.0 SEE VIEW A

595.0 REF. (300.0 STROKE SHOWN (295.0 + STROKE))

305.0 REF.

(SWITCH OPTION #P2) SWITCH LOCATION FOR LIFTERS 150MM STROKE AND LONGER.

(SWITCH OPTION #P1) FURNISHED WITH 18MM PROX. SWITCH BRACKET

NOTE: IF DIAMOND IS TO SUPPLY SWITCHES CUSTOMER MUST SPECIFY MANUFACTURER AND PART NUMBER.

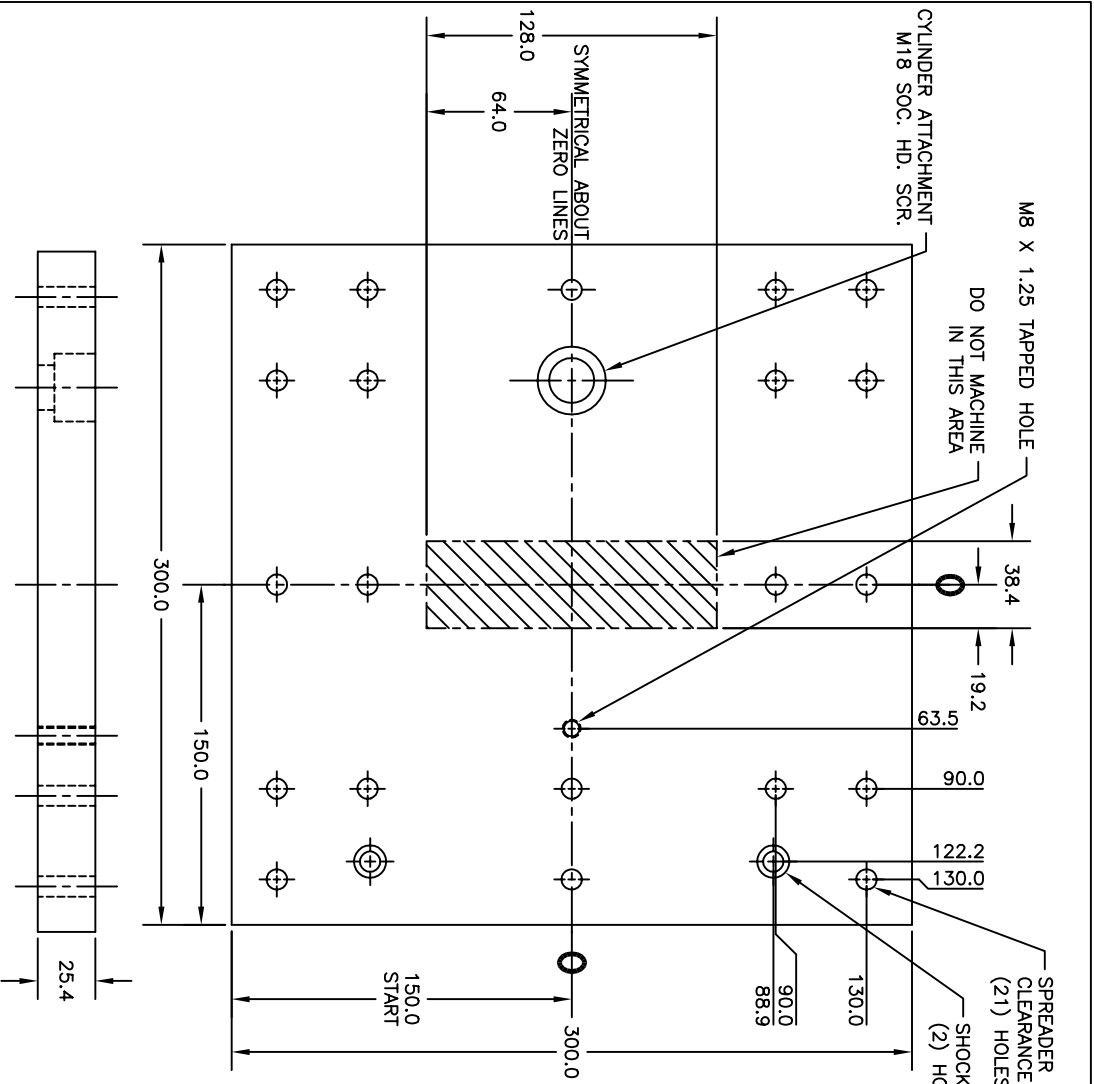
NOTE:
 PARKER ISO 6431, VDMA 24562 AIR CYLINDER SHOWN
 CYLINDER WILL BE PROVIDED PORTS @ #2, CUSHION ADJ. @ #4
 PROX. SW. READY @ FACE #1 ONLY WHEN SPECIFIED.
 MID DRIVE CONVEYORS RECOMMENDED FOR USE WITH LIFTER

5096 1/2 CANAL ROAD
 P.O. BOX 37
 DIMONDALE MICHIGAN 48821
 PHONE (517) 646-9637
 FAX (517) 646-8115
 WWW.DIAMONDS.COM
 E-MAIL: INFO@DIAMONDS.COM

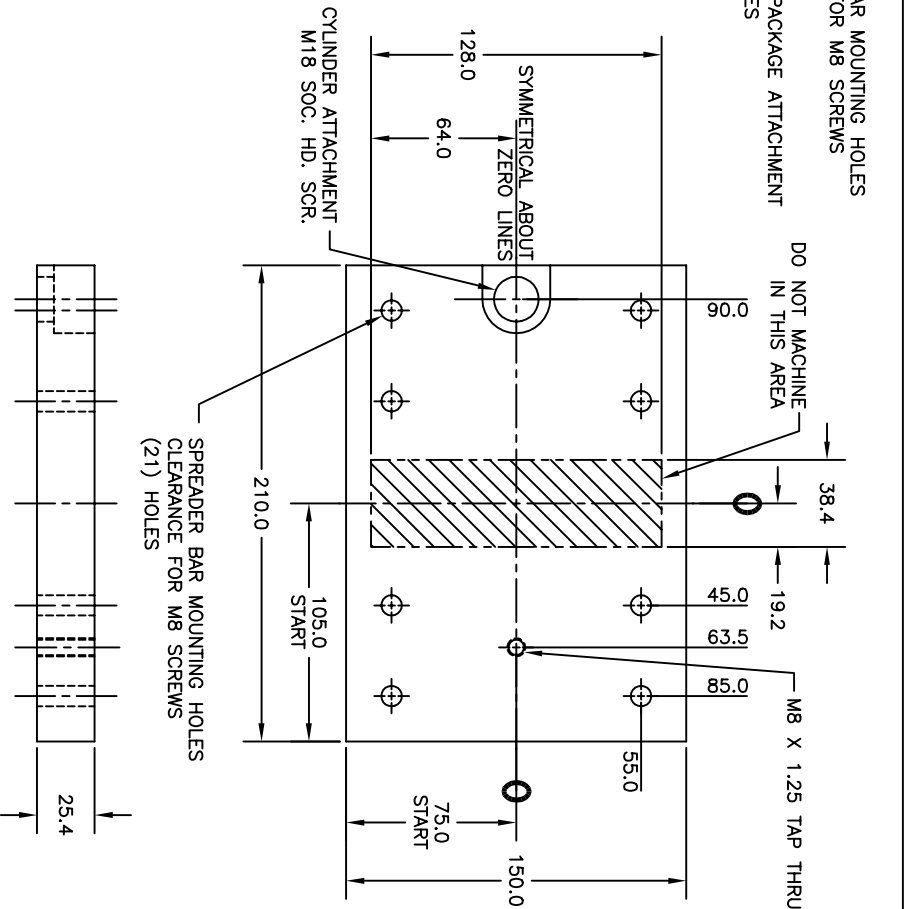
DIAMOND AUTOMATION, LTD.
 COMPACT CONVEYOR SYSTEMS

THE METRIC HEAVY-DUTY LIFTER WITH SHOCK PACKAGE
 MODEL #5007

DESIGN BY A.F. [REV] 05/08/98 SHEET L-3




DETAIL #6035 ~ METRIC LIFTER PLATE FOR SHOCK PACKAGE



DETAIL #6034 ~ STANDARD METRIC LIFTER PLATE

5096 1/2 CANAL ROAD
 P.O. BOX 37
 DIMONDALE MICHIGAN 48821
 PHONE (517) 646-9637
 FAX (517) 646-8115
 WWW.DIAMSYS.COM
 E-MAIL: INFO@DIAMSYS.COM

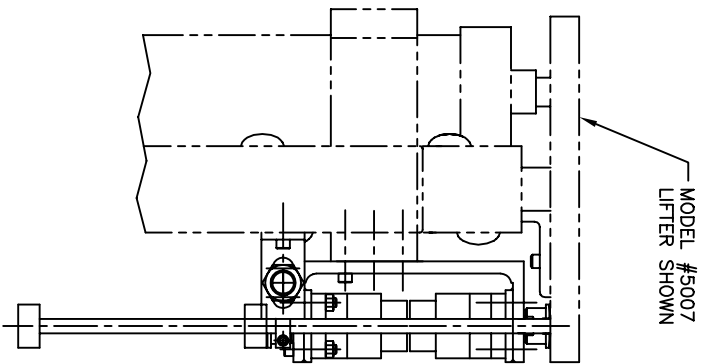
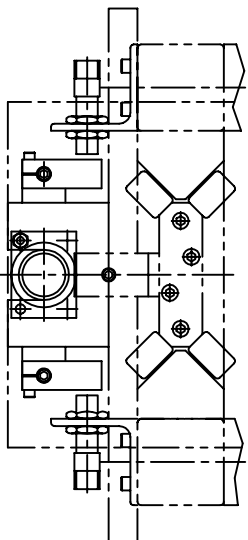
 DIAMOND AUTOMATION LTD. CONTACT CONVERTOR SYSTEMS	
TITLE	METRIC LIFTER PLATES
DESIGN BY	A.F.
DATE	12/22/98
SHEET	L-4

LAST PRINT DATE: 11/07/05

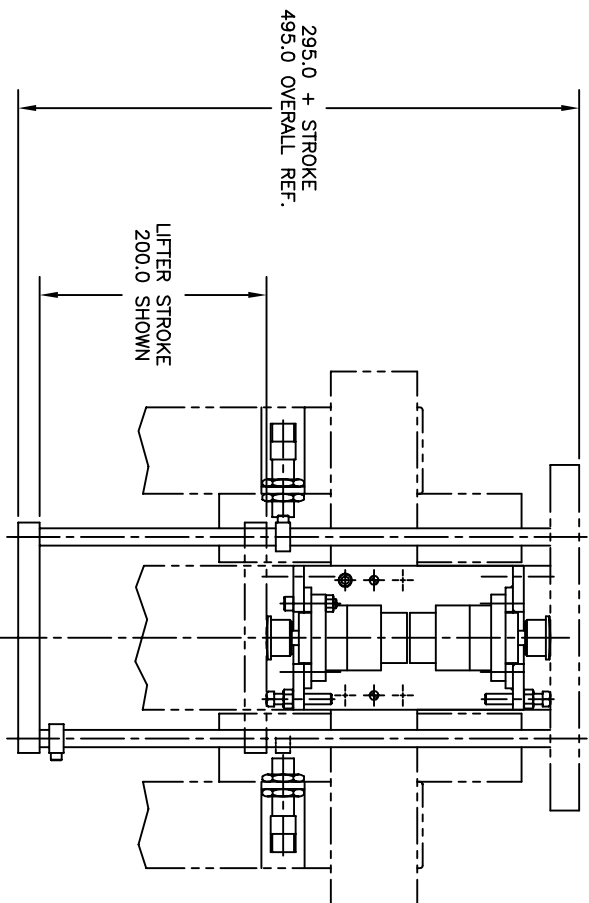
HOW TO ORDER DIAMOND AUTOMATION
METRIC LIFTER SHOCK PACKAGE

EXAMPLE: MODEL NUMBER 5008 — LIFTER STROKE 200

MODEL NUMBER IN MM (SHOWN)
LIFTER STROKE



MODEL #5007
LIFTER SHOWN



295.0 + STROKE
495.0 OVERALL REF.

LIFTER STROKE
200.0 SHOWN

5096 1/2 CANAL ROAD
P.O. BOX 37
DIMONDALE MICHIGAN 48821
PHONE (517) 646-9637
FAX (517) 646-8115
WWW.DIAMSTS.COM
E-MAIL: INFO@DIAMSTS.COM



DIAMOND AUTOMATION, LTD.
COMPACT CONVEYOR SYSTEMS

TITLE METRIC HEAVY-DUTY LIFTER SHOCK PACKAGE
MODEL #5008

DRAWN BY AF [DATE: 5/18/98] SHEET L-5